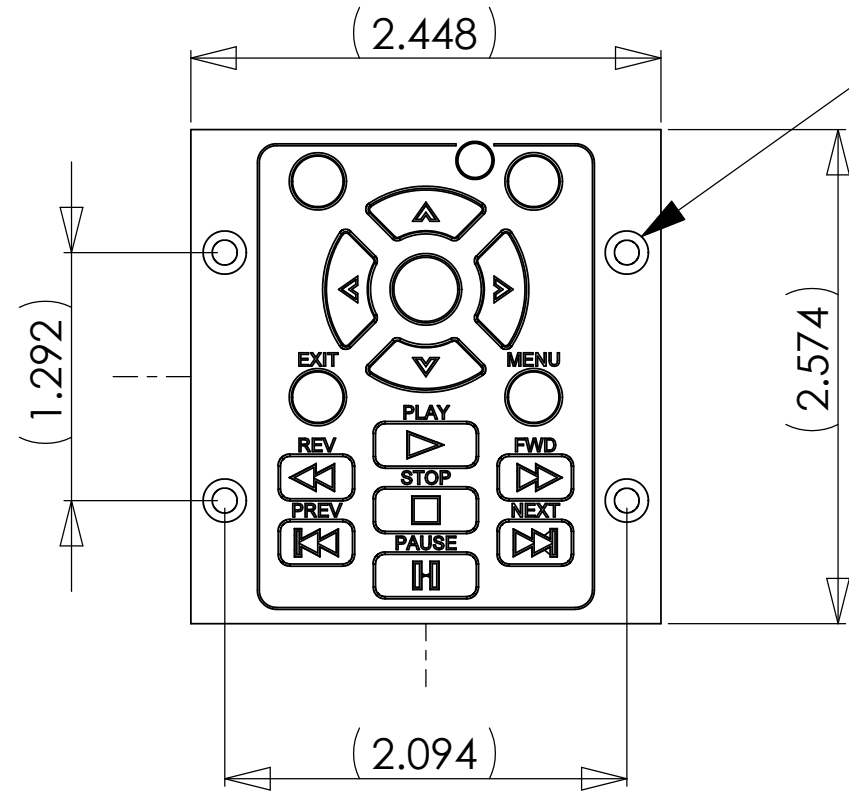
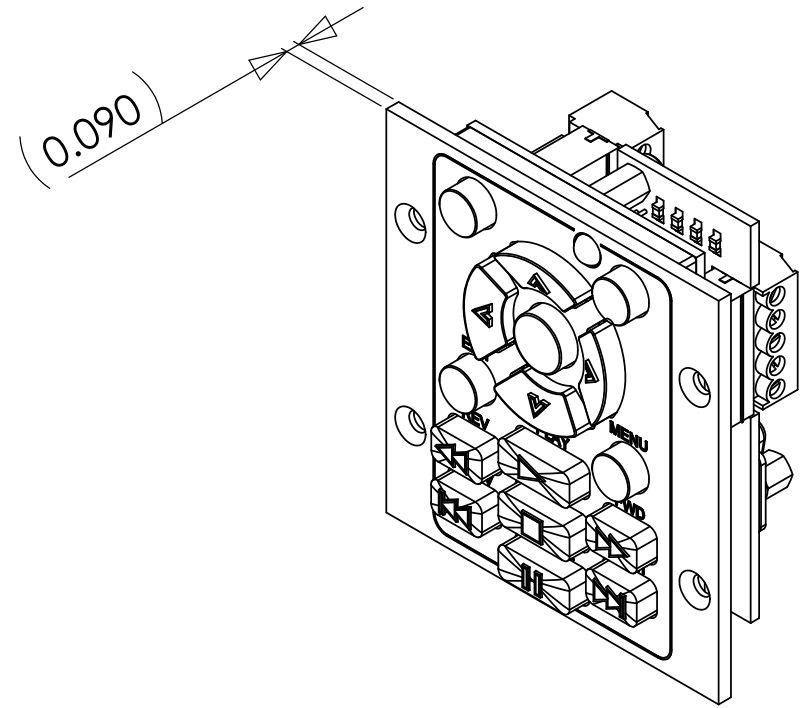


REVISIONS				
ZONE	REV.	DESCRIPTION	DATE	APPROVED
	A	initial issue	1/18/05	

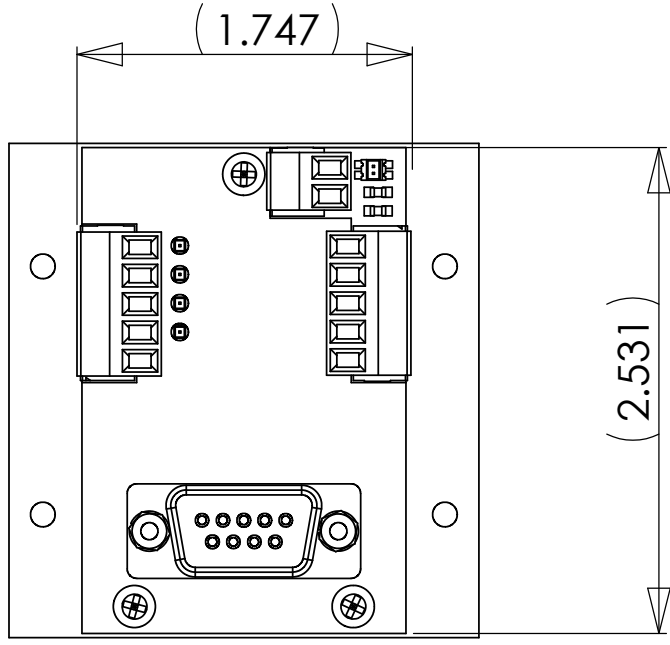
FRONT VIEW



4-40 countersink
(4 places)



BACK VIEW



Minimum size hole cutout
to allow for circuit board

PROPRIETARY AND CONFIDENTIAL
 THE INFORMATION CONTAINED IN THIS DRAWING IS THE SOLE PROPERTY OF SP CONTROLS. ANY REPRODUCTION IN PART OR AS A WHOLE WITHOUT THE WRITTEN PERMISSION OF SP CONTROLS IS PROHIBITED.

		UNLESS OTHERWISE SPECIFIED:		DATE	NAME	SP CONTROLS TITLE: SP3-TCM+ dimensions drawing SIZE B SCALE: 1:1 WEIGHT: SHEET 1 OF 1
		DIMENSIONS ARE IN INCHES	DRAWN			
		TOLERANCES:	CHECKED			
		FRACTIONAL ±	ENG APPR.			
		ANGULAR: MACH ± BEND ±	MFG APPR.			
		TWO PLACE DECIMAL ±	Q.A.			
		THREE PLACE DECIMAL ±	COMMENTS:			
		INTERPRET GEOMETRIC TOLERANCING PER:				
		MATERIAL --				
		FINISH --				
NEXT ASSY	USED ON					
APPLICATION						