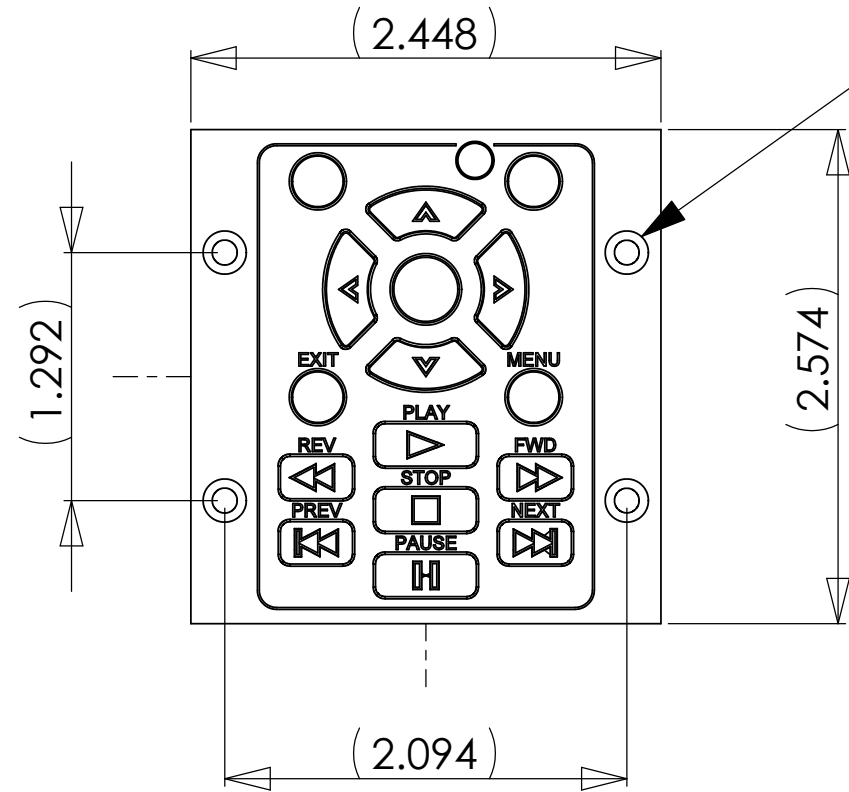
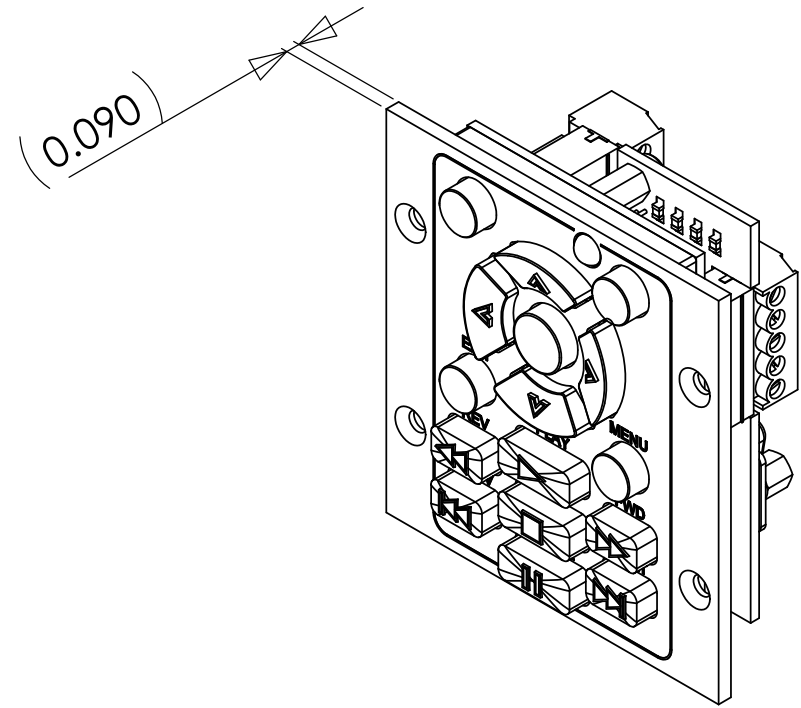


REVISIONS				
ZONE	REV.	DESCRIPTION	DATE	APPROVED
	A	initial issue	1/18/05	

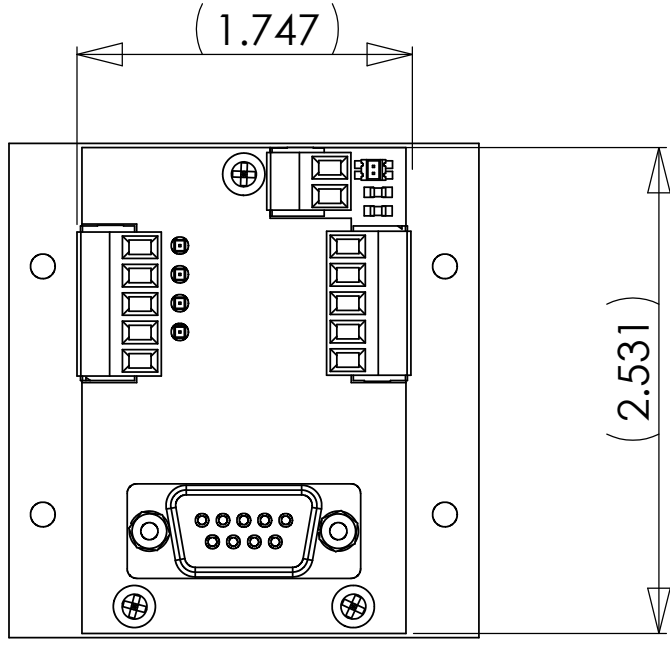
FRONT VIEW



4-40 countersink  
(4 places)



BACK VIEW



Minimum size hole cutout  
to allow for circuit board

**PROPRIETARY AND CONFIDENTIAL**  
 THE INFORMATION CONTAINED IN THIS DRAWING IS THE SOLE PROPERTY OF SP CONTROLS. ANY REPRODUCTION IN PART OR AS A WHOLE WITHOUT THE WRITTEN PERMISSION OF SP CONTROLS IS PROHIBITED.

		UNLESS OTHERWISE SPECIFIED:		DATE	NAME	<b>SP CONTROLS</b>
		DIMENSIONS ARE IN INCHES TOLERANCES: FRACTIONAL ± ANGULAR: MACH ± BEND ± TWO PLACE DECIMAL ± THREE PLACE DECIMAL ±	DRAWN			
		INTERPRET GEOMETRIC TOLERANCING PER:	CHECKED			SP3-TCM+ dimensions drawing
		MATERIAL --	ENG APPR.			
NEXT ASSY	USED ON	FINISH --	MFG APPR.			<b>B</b>
APPLICATION			Q.A.			
			COMMENTS:			WEIGHT:
						SHEET 1 OF 1