

Smart and Secure

The SmartBox II (SBII) is a flexible and unobtrusive equipment enclosure used to house everything you need for your AV project. Factory installed pre-configured options provide a complete solution in a box, keeping the installation costs down, and the job on time and on budget. The patent-pending slide-in slotted equipment tray requires no hardware or screws to secure it. The SBII can be populated with a number of devices on top of the tray with room for miscellaneous cables and power supplies conveniently tucked underneath. Since the tray is secure when in place, the SBII can be mounted upside down allowing for easy access to equipment once installed.

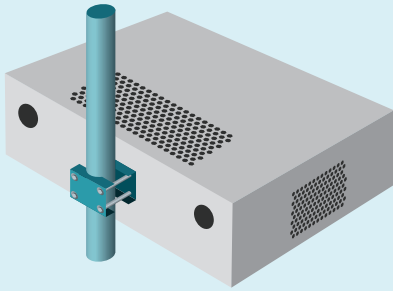


Features

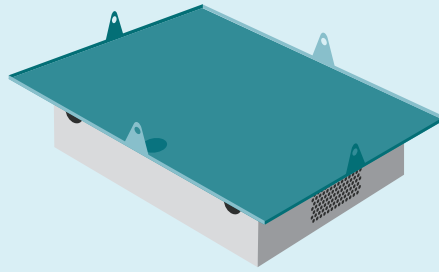
- Vented design construction uses natural convection for cooling.
- 1-1/4" clearance below removable tray accommodates a variety of cables and power bricks.
- Secure keylock removable lid provides easy access to internal equipment.
- Designed to mount in any type of room environment, including above ceiling, below ceiling, wall mount, under table or on a projector pole mount.
- Customize with pre-installed equipment specifically designed with a unique part number to protect your intellectual property.
- Systems can be pre-assembled and pre-configured for plug and play installations.
- When used with the SP Controls Networked Room Controller, a notification will be sent when opened, providing additional security.
- Available in powdercoated black or white. Custom colors and branding available for an additional charge. Minimum quantities apply.
- Lifetime warranty.

SmartBox II Mounting Options

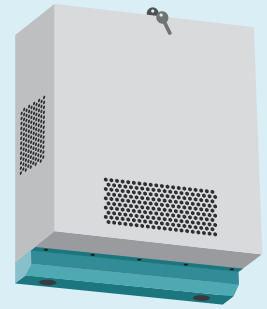
Pole Mount



Ceiling Mount



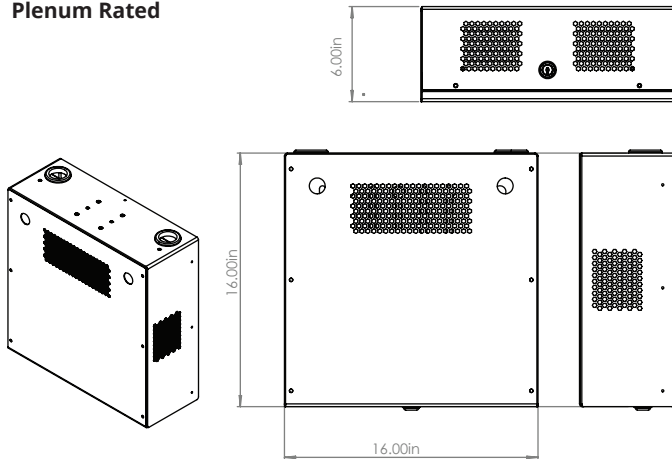
Wall Mount with Cable Cover



Technical Specifications

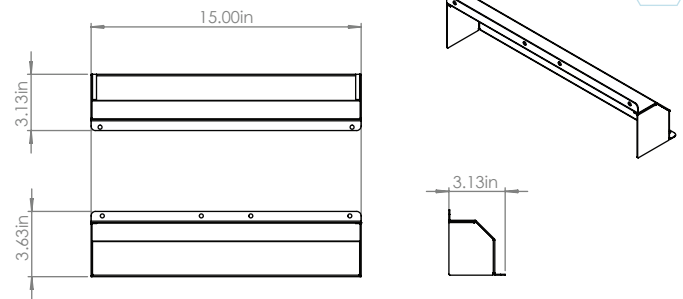
SLB-SBOX II Smart Media Box

Material: Powdercoated Steel
Color: Black or White
Net Weight: 17.5lbs
Plenum Rated



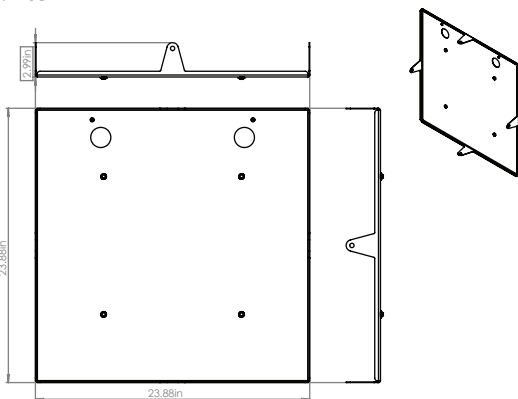
SLB-SBOX II CBL CVR Cable Cover

Material: Powdercoated Steel
Color: Black or White
Net Weight: 1.4lbs



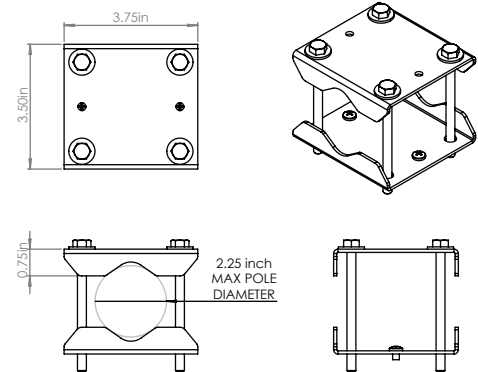
SLB-SBOX II CEILING PLT Ceiling Plate

Material: Powdercoated Steel
Color: White
Net Weight: 8.2lbs



SLB-SBOX II POLE MT Pole Mount

Material: Powdercoated Steel
Color: Black or White
Net Weight: 1lb



Additional accessories available. Visit www.spcontrols.com for more information.

info@spcontrols.com • Tel: (650) 392-7880 • Toll Free: (877) 367-8444